

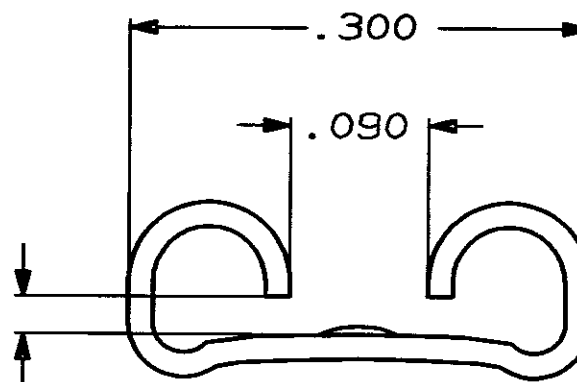
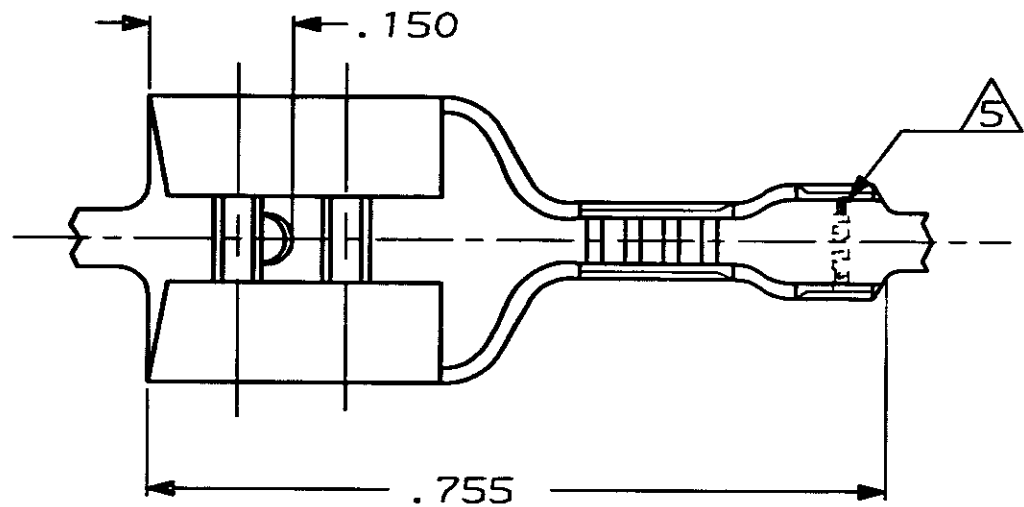
THIS DRAWING IS UNPUBLISHED. RELEASED FOR PUBLICATION
 © COPYRIGHT 19 BY AMP INCORPORATED. ALL INTERNATIONAL RIGHTS RESERVED.

LOC AF DIST 50

P F

ZONE LTR

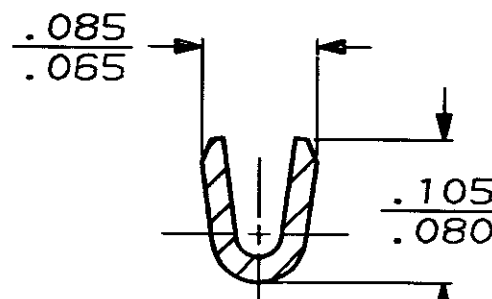
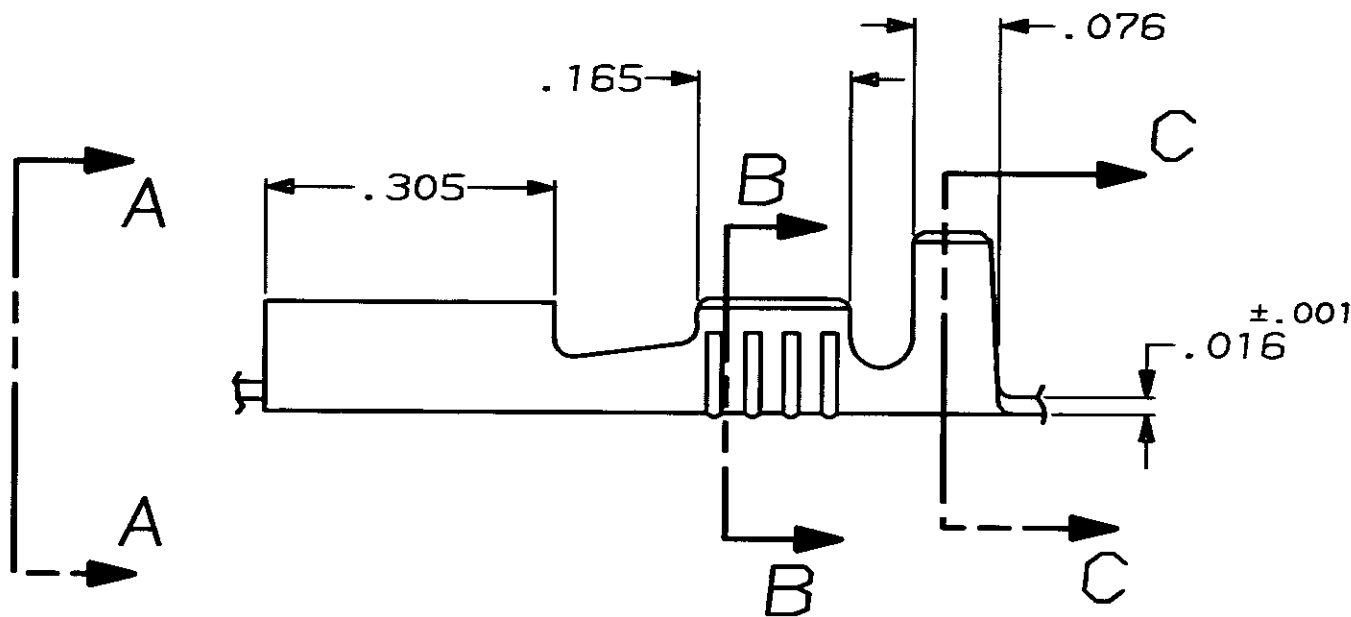
REVISIONS		DATE	APPD
DESCRIPTION			
F	ADDED -3 PER PR93-46	7/3/93	JR/CH



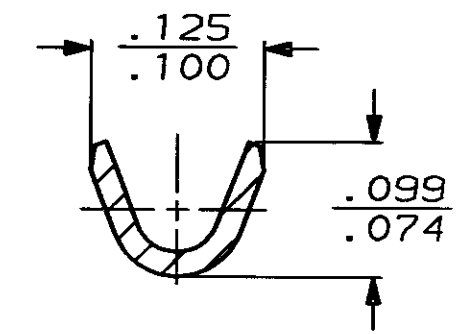
FITS .250 SERIES FASTON TAB

VIEW A-A
SCALE 8:1

- 1 CONTINUOUS STRIP ON REELS
- 2 MATERIAL #4H BRASS - TIN PLATE .000080 MIN. THK.
- 3 MATERIAL #2H STEEL - GOLD PLATE .000050 MIN OVER NICKEL.
- 4 MATERIAL T3 PHOS BRZ - TIN PLATE .000080 MIN. THK.
- 5 FOR 61368-3 ONLY, AMP*. ALL OTHERS JUST AMP.



SECTION B-B
SCALE 8:1



SECTION C-C
SCALE 8:1

OBSOLETE	.030-.070	24-20	.032	△	61368-3
	.030-.070	24-20	.032	△	61368-2
	.030-.070	24-20	.032	△	61368-1
INSUL RANGE	WIRE SIZE	MATING TAB THK ±.001	MATERIAL FINISH	PART NO	

DO NOT SCALE PRINT. UNLESS SPECIFIED DIMENSIONS IN INCHES TOLERANCES ON:	DR 12/3/90 JR RUTH
2 PLC DEC ± -	CHK 12/3/90 MS FEHER
3 PLC DEC ± .010	APPD 12/3/93 C MEYERS
ANGLES ± -	APPD 12/3/93 D REINER
MATERIAL	PRODUCT SPEC
SEE TABLE	-
FINISH	APPLICATION SPEC
SEE TABLE	-
	WEIGHT -

AMP INCORPORATED Harrisburg, Pa. 17105		
NAME RECEPTACLE, FASTON,™ .250 SERIES		
SIZE B	FSCM NO 00779	DRAWING NO 61368
SCALE 5:1	SHEET 1 OF 1	